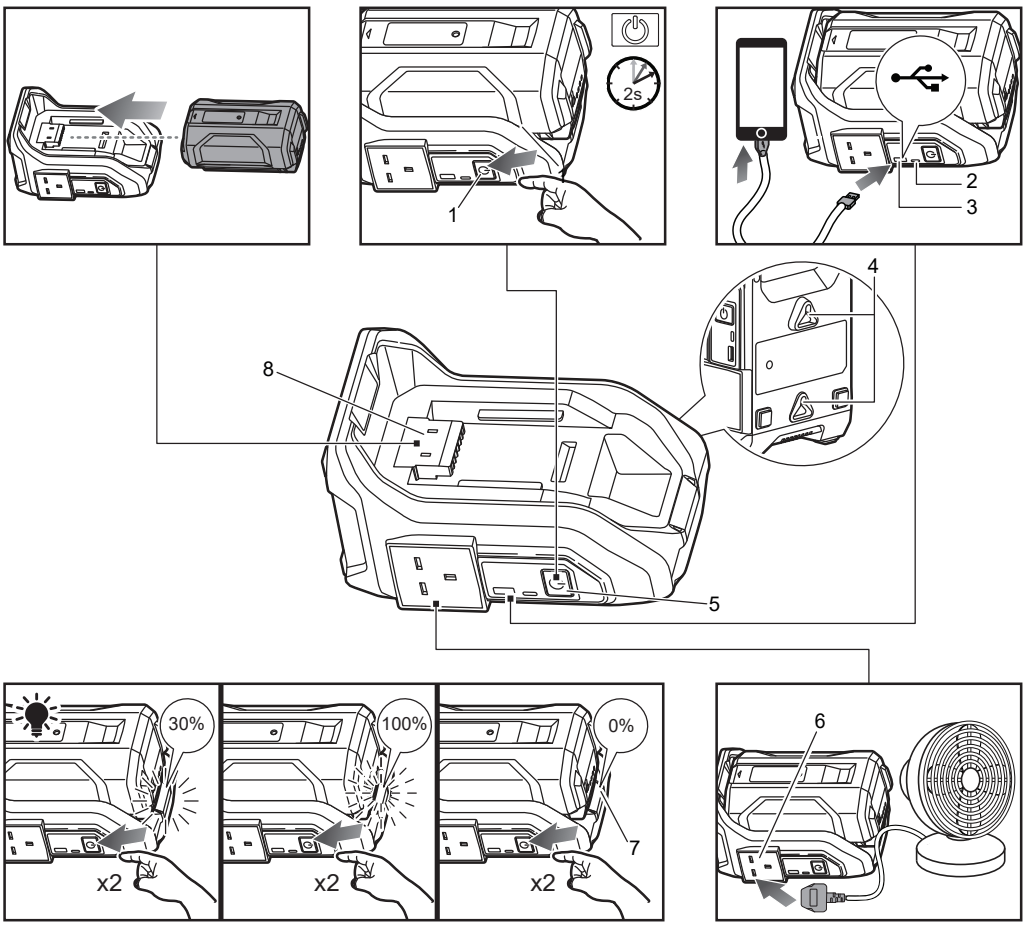




# RY36BI300A



**IMPORTANT!**  
The product is not intended to be used or cleaned by persons with reduced physical, sensory or mental capabilities, or lack of experience or knowledge unless they have been given instructions concerning the safe use of the product by a person legally responsible for their safety. They should be supervised while using the product. Children shall not use, clean or play with the product, which when not in use should be secured out of their reach.

Safety, performance, and dependability have been given top priority in the design of your battery inverter.

**INTENDED USE**

- The product may be used for the following purposes:
- operating and charging USB-powered devices
  - supplying electrical power for operating compatible small electronics such as cell phones, tablets, laptops, LED lights, fans, radios, etc.

The product is intended for indoor use only.  
When a battery pack is installed, the product converts DC electricity to 230 V AC household power. When using a type A USB cable, the USB port supplies 5 V DC USB (up to 3 A), 9 V DC USB (up to 2 A), 12 V DC (up to 1.5 A) charging power. When using a type C USB cable, the USB port supplies 5 V DC USB (up to 2 A), 9 V DC USB (up to 2 A), 12 V DC (up to 2 A), 20 V DC (up to 2 A) charging power. The USB ports share

internal circuitry. If two USB ports are in use at the same time, the two USB ports supply 5 V output only.

The product is rated at 300 W power output. Check the power rating of your electrical device before using with the product. Do not use the product if the power rating of your electrical device exceeds 300 W.

**GENERAL SAFETY WARNINGS**

**Read and understand all instructions.** Failure to follow all instructions listed below may result in electric shock, fire and/or serious injury.

- Save these instructions. Refer to them frequently and use them to instruct others who may use this product. If you loan someone the product, loan them these instructions also.
- Do not expose the product to rain, wet, or damp conditions. Water entering the product increases the risk of electric shock.
- Do not use the product if it has been dropped or received a sharp

blow. A damaged product increases the risk of fire. Always inspect the product for damages before use.

- Remove the battery pack from the product when not in use.
- Do not disassemble or modify the product. Electric shock hazard may occur even when a battery is not installed. Any part that is damaged should be properly repaired or replaced by an authorised service centre.
- To reduce the risk of injury, close supervision is necessary when the product is used near children.
- Store the product indoors and away from children.
- Use caution when plugging or unplugging other devices into the product. Do not force plugs into the product.
- If the product is used in a manner not specified by the manufacturer, the protection provided by this equipment may be impaired.
- Do not overload the product. The product must be used for powering devices less than the product rating.
- Never block the air vents. Blocked vents may cause overheating. The product automatically turns off when overheated.
- Keep the product cool. Do not place the product near heat vents or in direct sunlight.
- Do not use the product around flammable fumes and gases, such as in the bilge of a boat or near propane tanks.
- Do not put foreign objects into the product.
- Operate the product using only the AC power type listed in the product specifications.
- The product should never be hard-wired into a circuit.
- Do not leave the product unattended during operation.
- Operate the product only in temperatures between 0°C and 40°C.
- Do not use the product to power life support devices or other medical equipment.
- Risk of electric shock. When using a grounded appliance, the product does not provide an electrical path to earth ground. Do not power devices that are damaged or with damaged or frayed power cords.
- An internal cooling fan runs to regulate the product's operating temperature. Always wait for the fan to stop before disconnecting the battery pack from the product.
- Use RYOBI 36V MAX POWER battery packs only. Do not use battery packs from other manufacturers.
- Do not at any time, let brake fluids, gasoline, petroleum-based products, penetrating oils, etc., come in contact with plastic parts. Chemicals can damage, weaken, or destroy plastic, which could result in serious personal injury.
- The light source of the product is not replaceable. When the light source reaches its end of life, the product must be replaced.
- Do not use a multiple socket outlet or adaptor on the AC socket.

## KNOW YOUR PRODUCT

See illustration.

- |                             |                  |
|-----------------------------|------------------|
| 1. Power / Light button     | 5. LED indicator |
| 2. Type A USB charging port | 6. AC socket     |
| 3. Type C USB charging port | 7. Area Light    |
| 4. Wall hanger holes        | 8. Battery port  |

## SYMBOLS ON THE PRODUCT



Safety alert

## POWER BUTTON LED FUNCTIONS

LED indicator	Status	Troubleshooting
Green	The product is on.	
Flashing red	The product is overloaded.	<ol style="list-style-type: none"> <li>1. Press the power/light button to remove the lock state. The LED indicator turns off.</li> <li>2. Disconnect the all devices. Make sure that the battery is sufficiently charged.</li> <li>3. Press the power/light button to turn on the AC socket.</li> <li>4. Reconnect all devices. If the LED indicator flashes red again, the devices exceed the capacity of the product.</li> </ol>
Red	The product is overheated.	<ol style="list-style-type: none"> <li>1. Disconnect all devices. Allow the product to cool down until the LED indicator flashes red.</li> <li>2. Briefly press the power/light button to reset the product. When the LED indicator turns green, reconnect the devices.</li> </ol>
Flashing yellow	The battery charge is low.	Remove and charge the battery.
Flashing red (3x)	The battery charge is insufficient.	Remove and charge the battery.

EN 61000-6-1:2019; EN61000-6-3:2017+A1:2011; EN 62477-1:2012 + A1:2014 +A1:2017; IEC 60598-2-4: 2017, IEC 60598-1: 2014 + A1: 2017, EN 60598-2-4: 2018, EN 60598-1: 2015 + A1: 2018, IEC 62031: 2018 and EN IEC 62031: 2020

RYOBI is a trade mark of Ryobi Limited, and is used under license.  
© 2020 Techtronic Cordless GP.

Imported by:  
**Techtronic Industries GmbH**  
Max-Eyth-Strasse 10,  
71364 Winnenden, Germany



Remove the battery pack before starting any work on the product.



Beware of electric shock hazard.



Do not expose to rain or damp conditions



Read the instructions carefully before starting the product.



Waste electrical products should not be disposed of with household waste. Please recycle where facilities exist. Check with your local authority or retailer for recycling advice.



Double insulation



Isolated inverter



Fast blow fuse



Never block the air vents.



Do not use the product in a vertical position unless mounted on a wall.



Use the product in a horizontal position.



Indoor use only



Conforms to all regulatory standards in the country in the EU where the product is purchased.



EurAsian Conformity Mark



Ukrainian mark of conformity

## PRODUCT SPECIFICATIONS

Battery Inverter

Model: RY36BI300A

Supply: 36 V DC, 12.5 A MAX, 450 W MAX

Output: 230 V AC, 50 Hz, 300 W

Type A USB: 5 V DC max 3 A / 9 V DC max 2 A / 12 V DC max 1.5 A

Type C USB: 5 V DC max 2 A / 9 V DC max 2 A / 12 V DC max 2 A / 20 V DC max 2 A

\*The USB ports share internal circuitry. If two USB ports are in use at the same time, the two USB ports supply 5 V output only.

Dimensions: 140 mm x 75 mm x 80 mm

Weight: 300 g

Compatible battery packs (not included): BPL36\*\*, RY36B\*\*